

Warning! Buyer/user assumes all responsibility for safety and proper use not in accordance with the directions and safety labels.



**MICRO SUN
HIGH OUTPUT LED
CLAMP LIGHT**



- Ideal for Fresh and Saltwater Environments
- Nano Tank Light
- 1 Watt LED Lamps
- Water Resistant Construction
- Sleek Aluminum Hood with Heat Removal Technology
- Adjustable Arm made of Durable High Impact Plastic
- Low Voltage UL Listed Transformer
- Patent Pending

IMPORTANT WARNING AND SAFEGUARDS

- READ AND FOLLOW THE GUIDELINES TO ENSURE THE PROPER USE AND APPLICATION. FAILURE TO FOLLOW THESE GUIDELINES MAY RESULT IN FIXTURE DAMAGE, ELECTRICAL SHOCK, FIRE AND/OR INJURY.
- WARNING! HANDLE WITH CARE
- DO NOT TOUCH THE FIXTURE WHILE OPERATING. BEFORE WORKING ON THE FIXTURE AND/OR AQUARIUM, THE FIXTURE MUST BE DISCONNECTED FROM THE POWER SUPPLY.
- PRIOR TO ADJUSTING ANGLE OF THE LIGHT AND OR WORKING ON THE LIGHT FIXTURE, THE FIXTURE MUST BE DISCONNECTED FROM THE POWER SUPPLY.

This product may contain chemicals known to the state of California to cause cancer and or birth defects or other reproductive harm. Wash your hand after handling this product.

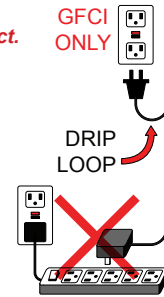
It is your sole responsibility to verify that the plug and the receptacle are clean and free of moisture and salt build up at all times. The receptacle must be free of water, salt, calcium, magnesium and dust. Failure to do so can cause fire, damage to property, permanent damage to the product and personal injury not limited to loss of life.

Do not plug into extension cord or power strip.

*Hg lamp contains Mercury
Manage in accordance with disposal laws
See: www.lamprecycle.org*

A drip loop must be used when plugging all electrical aquarium devices. A drip loop is that part of the cord hanging below the receptacle.

The national code requires that a GFCI (Ground fault circuit interrupter) be used in the branch circuit supplying all power to water pumps and electrical aquarium equipment. If you do not have a GFCI, have an electrician install one prior to operating any aquarium component.



Additional Safety Precautions & Warnings:

Age Recommendation: 18 years or over. Not a toy. Not intended for use by children without direct adult supervision. As the user of this product, you are solely responsible for operating it in a manner that does not endanger yourself and others or result in damage to the product or the property of others.

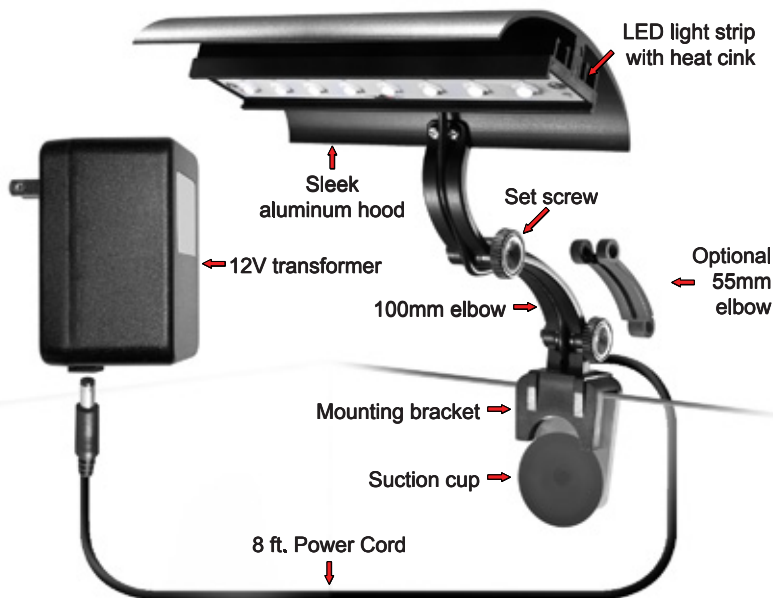
Read and follow the guidelines to ensure the proper use and application. Failure to follow these guidelines may result in light fixture damage, electrical shock, fire and/or injury.

- The national code requires all aquarium equipment to be plugged into a GFCI (Ground Fault Circuit Interrupter) electrical outlet. The code requires that a GFCI be used in the branch circuit supplying all water pumps and electrical aquarium equipment.
- Do not plug into a power strip or extension cord.
- For indoor use only
- Use the product for its intended use only
- Never yank or pull on the cord from the electrical outlet
- Do not place the light fixture directly on top of the aquarium without using the mounting arm
- Do not operate the light if the plug and or wire is damaged
- The light fixture is not to come in contact with water
- The light fixture must be turned off/disconnected from the power supply before any maintenance is done to either the light fixture or the aquarium
- Verify that hands are dry prior to disconnecting power
- If the light fixture falls or comes in contact with water/excess moisture, unplug the light fixture from the power supply immediately before removing. Failure to do so may cause electrical arcing resulting in possible fire or electrical shock
- The light fixture must be free of water, moisture and salt build up at all times. Failure to do so will cause electrical arcing resulting in possible fire or electrical shock.
- Do not place above an open top aquarium

Note: Any water damage to the LED unit voids all warranties

PART LIST

- | | |
|-----------------------------------|---------------------|
| 1. Sleek aluminum hood | 5. Mounting bracket |
| 2. LED light strip with heat sink | 6. 12v transformer |
| 3. Set screws | 7. Suction cup |
| 4. Elbows | 8. 8ft. power cord |



INSTRUCTIONS FOR INSTALLATION

Glass Thickness:

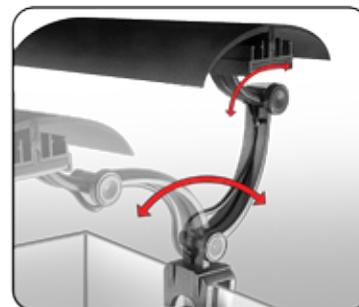
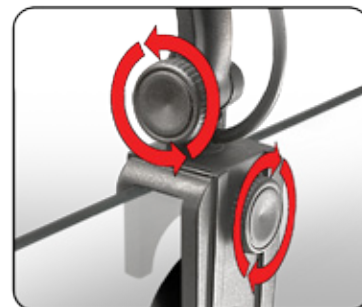
- Maximum glass thickness 1/2"
- 1/4" glass use the suction cup provided to secure fixture to the aquarium
- 3/8" or 1/2" glass remove the suction cup provided to secure fixture to the aquarium

Some assembly is required prior to operation

Installing the 100mm elbow

1. Remove the set screws from the elbow and attached the fixture to the 100 mm elbow and mounting bracket
2. Replace both set screws and adjust to desired angle
3. Place the transformer cable back into the slot in the elbow

Note: Do not place directly on top of any aquarium without using the mounting arm. Do not place on top of an aquarium without a glass top



1. Slide the mounting bracket onto the aquarium
2. Once in position, tighten the set screw to secure
3. Adjust the arm to the angle desired
4. Plug the unit directly to a GFCI outlet

To clean use soft cloths to remove any salt build up and or water deposits.

Installing the 55mm arm bracket

1. Carefully remove the transformer cable from the slot in the arm bracket
2. Remove both set screws on the arm bracket
3. Remove the 100mm arm bracket
4. Install the 55mm arm bracket
5. Replace both set screws
6. Place the transformer cable back into the slot in the arm bracket

NOTE: When installing the 12" & 18" LED Clamp Light certain precautions need to be made! Verify that the set screw on the mounting bracket that secures the light fixture on the aquarium is unscrewed or open. Verify that both arms are positioned at the same angle and the set screws are tightened



TROUBLESHOOTING

FOR QUESTIONS AND ANSWERS, VISIT OUR WEBSITE
www.wave-point.com

WARRANTY

<http://www.wave-point.com/warranty.html>

30 DAY PRODUCT GUARANTEE

- If within 15 days of purchase you experience any problems with this Wave Point® Technology product, return it to the retailer where purchased for replacement. Product must be returned in its original box, with all original parts and must be accompanied by the original receipt as proof of purchase.
- Products beyond the 30 days of purchase that experience problems should NOT be returned to the retailer, supplier, or distributor. These Wave Point® products fall under the auspices of the Wave Point® Technology 1 year limited direct manufacturer warranty. All such problems must be addressed directly with Wave Point® by the warranty holder (see below).

1 YEAR DIRECT MANUFACTURER LIMITED WARRANTY

Wave Point® Technology products are warranted to all registered warranty product owners to be free of defect in materials and workmanship for one (1) year from date of purchase.

- URGENT: Fill out the warranty registration card included in this box to activate registration in the Wave Point® limited warranty program. Warranty card must be completed and returned to Wave Point® Technology within thirty (30) days of purchase (Warranty Card).

6

- Under this program, Wave Point® Technology will, at its election, repair, replace or make appropriate adjustment where inspection by the Wave Point® company discloses any such defects occurring in normal usage within one (1) year after consumer purchase.
- Only properly registered Wave Point® products are eligible for this warranty service.
- After the 15 (fifteen) day guarantee has expired, contact Wave Point® Technology directly for warranty product repair. Do NOT return such Wave Point® products to the retailer, distributor or supplier for repair or replacement.
- Wave Point® Technology is not responsible for any removal, installation or shipping costs incurred in the warranty process.
- Warranty is void if the failure of Wave Point® product or system or any part, sealant or component thereof is found to be caused by misuse, tampering, negligence, abuse, misapplication, failure to properly maintain the product, failure to keep dry (not to come in contact with water), salt build up, or use without Ground Fault Circuit Interrupter.
- This warranty is non-transferable.
- This warranty is limited to possible parts replacement and labor connected therewith.
Wave Point® Technology is not liable for any incidental or consequential damages including but not limited to loss of life, personal injury, property damage, damage to equipment, or lost wages, income, profits or savings.
- Note: Some US states do not allow liability limitations or exclusions on incidental or consequential damages to the extent listed in the above disclaimer. Check your local state regulations for details on regulations specific to your state.

NOTE: Wave Point® Technology's warranty policy is subject to change without notice.

7

1 YEAR LIMITED WARRANTY OWNER REGISTRATION CARD

Wave Point® Micro Sun LED High Output Clamp Light
Wave Point® product owners MUST register their purchase with Wave Point® Technology for their warranty benefits to be in effect. Unregistered products are not eligible for warranty. This warranty card must be completed and submitted within 30 days of product purchase. Send this completed form along with a copy of the original retail receipt as proof of purchase to:

Wave Point® Technology. *Email us at info@wave-point.com for the updated address.
Warranty Submissions Desk
300 South Lewis Rd. Unit J, Camarillo, CA 93012, USA

OWNER INFORMATION

Date

Name:

Address:

City:

State/Province:

Postal Code:

Country

Email:

Cell Phone:

Work Phone:

Home Phone:

PRODUCT INFORMATION

Product Serial Number:

Model No.

(NOTE: This is the digit number located on the PIN tag affixed to the unit)

Date of Purchase:

Seller (Retail Outlet):

Seller's Location:

Seller's Phone:

***Affix a copy of your original purchase receipt here**
IMPORTANT: Please make a copy of this warranty card
and retain it for your records.



RETURNING PRODUCTS FOR WARRANTY REPAIR

Contact Wave Point® Customer Support at www.wave-point.com/helpdesk.html for all trouble shooting, warranty verification and return authorization numbers.

NOTE:

Products returned without Return Authorization Numbers will be refused.

Procedures:

I HAVE A COPY OF MY ORIGINAL COMPLETED WARRANTY CARD:

Wave point® product owners seeking warranty resolution should return their Wave Point® product directly to the manufacturer along with:

1. Return Authorization Number clearly written on outside of box
2. Copy of warranty card with attached copy of original receipt as proof of purchase
3. Warranty holder's address, phone number & email address if different than listed on warranty card
4. Written explanation of problem

I DO NOT HAVE A COPY OF MY ORIGINAL COMPLETED WARRANTY CARD:

In the event you do NOT have a copy of your original completed Warranty Card you may choose instead to forward your full customer contact information and proof of purchase as listed below:

1. Return Authorization Number clearly written on outside of box
2. Copy of original receipt as proof of purchase
3. Warranty holder's name, address, phone number and email address
4. The Wave Point® serial number as listed on the product being returned
5. Written explanation of the problem

SEND TO: *Email us at info@wave-point.com for the updated address.
Wave Point® Technology
Warranty Repair Desk
300 South Lewis Rd. Unit J, Camarillo, CA 93012, USA

8

In the event Wave Point® products are returned for warranty work and are found to be outside the parameters of the warranty or otherwise caused by other than normal usage, the warranty holder will be contacted by phone or email and offered the option of (a) repair and return at the owner's expense, (b) return of the product to the owner "as is" at the owner's expense, or (c) disposal of the product.
Only prepaid freight returns will be accepted. All freight is the responsibility of the warranty holder.

NOTE: Wave Point® Technology's warranty policy is subject to change without notice.

RETURNING PRODUCTS FOR OUT-OF-WARRANTY REPAIR

Wave Point® owners experiencing problems with a Wave Point® product no longer under warranty may send their Wave Point® product to Wave Point® Technology for repair.

For help with, or repair of, products no longer under warranty, for trouble shooting tips and/or return authorization numbers, contact Wave Point® Customer Support at www.wave-point.com/helpdesk.html. Products returned without a return authorization number will be refused.

Procedures:

Wave Point® product owners seeking product repair should return their Wave Point® product directly to the manufacturer along with:

1. Return Authorization Number clearly written on outside of box
2. Owner's name, address, phone number and email address
3. The Wave Point® serial number as listed on the product being returned
4. Written explanation of problem

SEND TO: *Email us at info@wave-point.com for the updated address.
Wave Point® Technology/ Repair Desk
300 South Lewis Rd. Unit J, Camarillo, CA 93012, USA

9

All repair and shipping costs are the responsibility of the owner. Depending on the problem and/or cost, products are not always repairable. In such instances all shipping costs remain the responsibility of the owner. If a Wave Point® product returned for repair is found to be either non-repairable or beyond a reasonable cost to repair, the owner will be contacted by Wave Point® and offered the option of either disposal of the product or return to the owner at the owner's expense.



Wave Point® Technology
www.wave-point.com

©2012 Wave Point® Technology
Photo: ©Wave Point®. ©Greg Rothchilds
All rights reserved

SPECIFICATIONS ARE SUBJECT TO CHANGE WITHOUT NOTICE

10